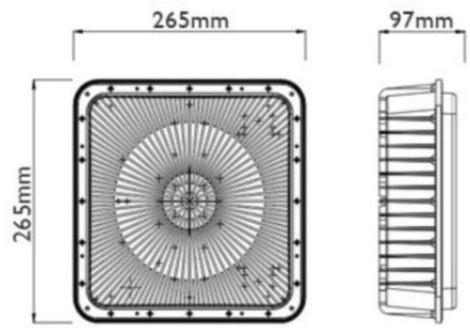


PROJECT:	DATE:
PREPARED BY:	NOTES:

75W LED Low Bay Canopy Lights spec sheet

Description

- * L70>54000 Hours
- * Commercial/Architectural Grade
- * Architectural UV resistant powder coat finish
- * Lighting Facts™ Uniform LM-79 Reporting Template
- * UL Listed
- * Photo-electric Switch (Optional) - Listed (WJCT),
- * Dimmable: 1-10VDC/PWM/Resister (3 in 1)
- * System Watts: 75W
- * Voltages: 100-277Vac
- * CRI:70+
- * IP65
- * Operating Temp: -40 °C to +70 °C
- * Operating Humidity: 20% to 90%RH
- * Power Fact(PF) : 0.99
- * Power Supply Efficiency: > 90%
- * Color Temperature: 2000-5000K



ORDERING INFORMATION

M/N	Watts	lumen Efficiency	Line voltage supply	Color Temperature	Beam Angle	Replace HID/MH
RL-CN-075W-B-LV-D-WW	75W	102.29lm/w	100-277Vac	3000K	145.3°	175W
RL-CN-075W-B-LV-D-NW	75W	102.29lm/w	100-277Vac	4000K	145.3°	175W
RL-CN-075W-B-LV-D-DW	75W	102.29lm/w	100-277Vac	5000K	145.3°	175W

Where "YY" in model name can be "SW", "WW", "NW", "DW" or "CW".